



HEIDENHAIN

araxe

72, rue Yves le Coz
78000 VERSAILLES

tél : 01 30 21 48 49

fax : 01 39 51 16 33

<http://www.araxe.com>

contact@araxe.com

HEIDENHAIN



Product Information

HEIDENHAIN- METRO

MT 12 Series

MT 25 Series

Incremental Length Gauges

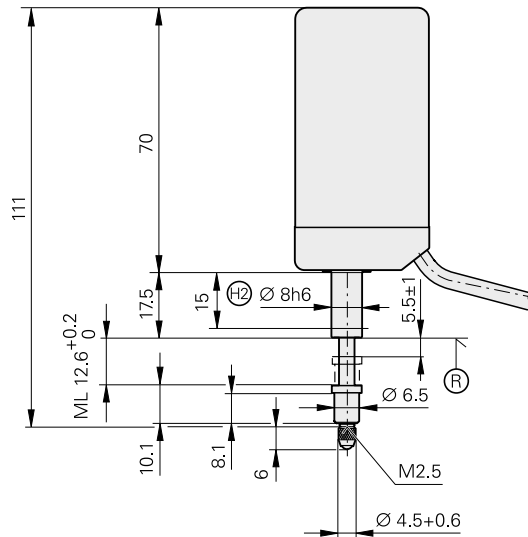
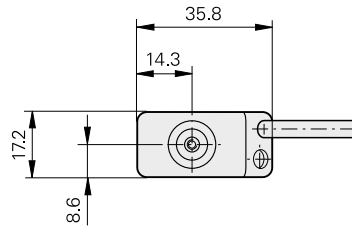
July 2013

HEIDENHAIN-METRO

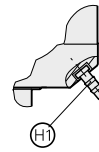
MT 12, MT 25 series

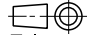
- Sturdy design
- Plunger actuation by cable lifter, by the workpiece or pneumatically

MT 12
MT 12B
MT 12P



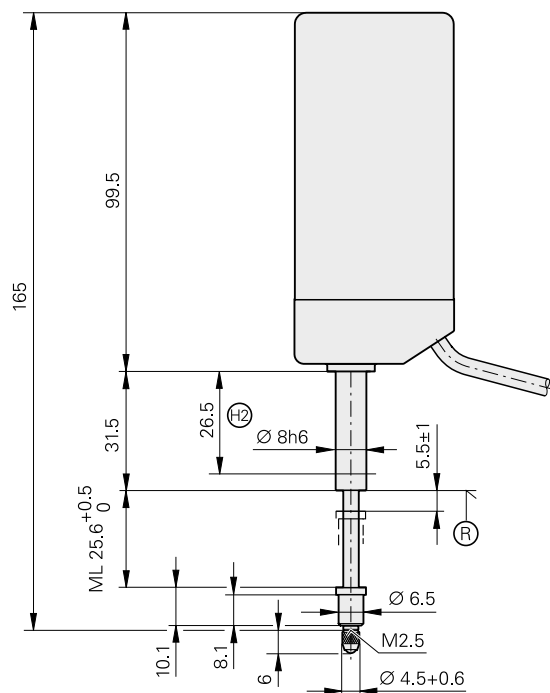
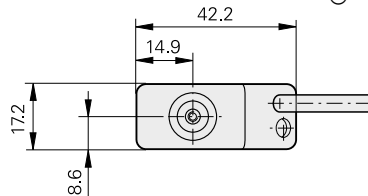
MT 12P



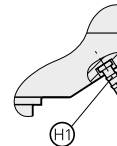
mm

 Tolerancing ISO 8015
 ISO 2768 - m H
 < 6 mm: ±0.2 mm

ML = Measuring length
 H2 = Reference mark position
 H1 = Air connection for 2 mm tube
 P = Clamping area

MT 25
MT 25B
MT 25P



MT 25P



Specifications	MT 12 MT 25	MT 12B MT 25B	MT 12P MT 25P
Plunger actuation	By cable or measured object		Pneumatic
Position of plunger at rest	Extended		Retracted
Plunger guideway	Sliding guide	Ball-bush guide	Sliding guide
Measuring standard	DIADUR grating on glass; grating period 10 µm		
System accuracy	± 0.5 µm		
Reference mark	Approx. 5 mm below upper stop		
Measuring range	<i>MT 12</i> <i>MT 25</i>	12 mm 25 mm	
Gauging force* Vertically downward Vertically upward Horizontal	<i>From the integral spring</i> 0.6 N to 0.85 N 0.28 N to 0.6 N 0.48 N to 0.73 N	<i>From the integral spring</i> 0.6 N to 0.85 N 0.28 N to 0.6 N 0.48 N to 0.73 N <i>Inherent weight of the plunger in version without spring:</i> <i>MT 12B: 0.12 N downward</i> <i>MT 25B: 0.16 N downward</i>	<i>From application of compressed air</i> 0.2 N to 1.1 N 0.2 N to 0.9 N 0.2 N to 1.0 N
Radial force ¹⁾	≤ 0.2 N	≤ 0.8 N	≤ 0.2 N
Operating attitude	Any	Any <i>Version without spring:</i> <i>vertically downward</i>	Any
Vibration 55 to 2000 Hz Shock 11 ms	≤ 100 m/s ² (EN 60068-2-6) ≤ 1000 m/s ² (EN 60068-2-27)		
Protection EN 60529	IP 50		IP 60
Operating temperature Storage temperature	10 °C to 50 °C; reference temperature 20 °C -30 °C to 70 °C		
Fastening	Clamping shank Ø 8h6		
Weight without cable	<i>MT 12</i> <i>MT 25</i>	120 g 200 g	250 g 300 g
Interface	~ 11 µApp		
Measuring velocity	≤ 60 m/min (plunger coupled; depending on the subsequent electronics)		
Electrical connection	Cable 1.5 m with M23 connector (male) 9 pin		
Cable length	≤ 30 m with HEIDENHAIN cable		
Voltage supply	5 V DC ± 0.25 V / < 70 mA		

* Please select when ordering

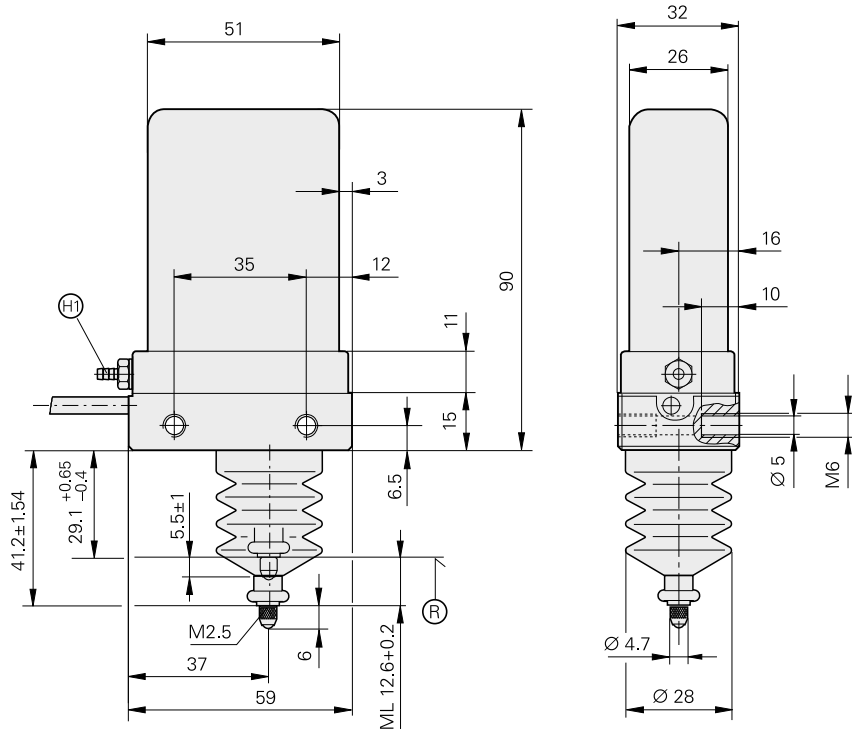
¹⁾ Mechanically permissible


HEIDENHAIN-METRO

MT 12W, MT 25W series

- Splash-proof, sturdy design
- Plunger actuation through the workpiece or negative gauge pressure

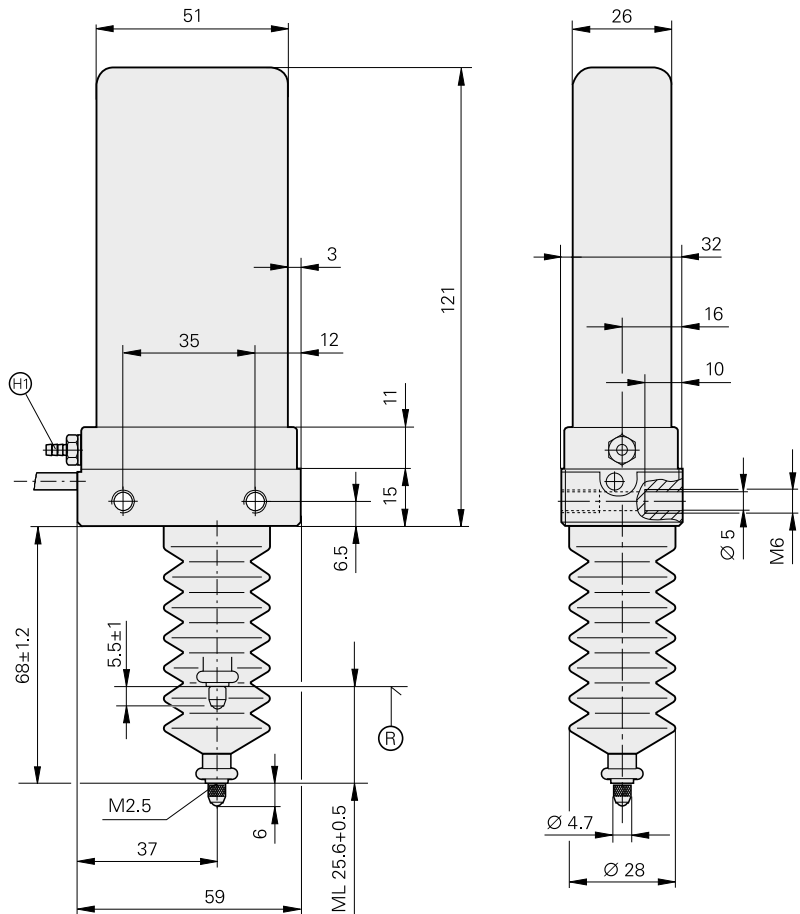
MT 12W



mm

 Tolerancing ISO 8015
 ISO 2768 - m H
 < 6 mm: ±0.2 mm

ML = Measuring length
 ⊗ = Reference mark position
 ⊕ = Air connection for 2 mm tube

MT 25W

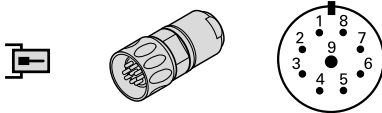
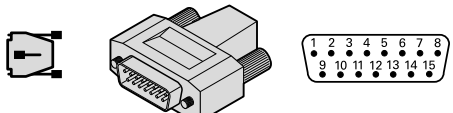


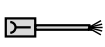


Specifications		MT 12W MT 25W	
Plunger actuation		Through measured object or application of negative gauge pressure (0.8 bar absolute)	
Position of plunger at rest		Extended	
Plunger guideway		Sliding guide	
Measuring standard		DIADUR grating on glass; grating period 10 µm	
System accuracy		± 1 µm	
Reference mark		Approx. 5 mm below upper stop	
Measuring range	MT 12 MT 25	12 mm 25 mm	
Gauging force Vertically downward Vertically upward Horizontal		<i>With extending plunger</i> 3.5 N to 0.5 N 3 N to 0.2 N 3.25 N to 0.35 N	<i>With retracting plunger</i> 4.4 N to 1.4 N 3.8 N to 1.4 N 3.95 N to 1.05 N
Radial force ¹⁾		≤ 0.2 N	
Operating attitude		Any	
Vibration 55 to 2000 Hz Shock 11 ms		≤ 100 m/s ² (EN 60068-2-6) ≤ 1000 m/s ² (EN 60068-2-27)	
Protection EN 60529		IP 64	
Operating temperature Storage temperature		10 °C to 50 °C; reference temperature 20 °C -30 °C to 70 °C	
Fastening		Plane surface 59 mm x 14 mm; 2 M6 screws	
Weight without cable	MT 12 MT 25	400 g 500 g	
Interface		~ 11 µAPP	
Measuring velocity		≤ 60 m/min (plunger coupled; depending on the subsequent electronics)	
Electrical connection		Cable 1.5 m with M23 connector (male) 9 pin	
Cable length		≤ 30 m with HEIDENHAIN cable	
Voltage supply		5 V DC ± 0.25 V/70 mA	

¹⁾ Mechanically permissible

Electrical connection

Pin layout

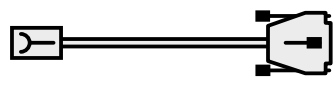
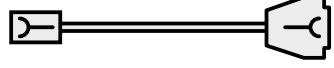
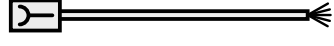
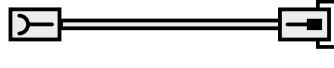
9-pin connector, M23					15-pin D-sub connector For ND 28x/PWM 20 or on encoder					
										
	Voltage supply				Incremental signals					
	3	4	Housing	9	1	2	5	6	7	8
	4	2		6	1	9	3	11	14	7
	U_P	0V	External shield	Internal shield	I₁+	I₁-	I₂+	I₂-	I₀+	I₀-
	Brown	White	-	White/Brown	Green	Yellow	Blue	Red	Gray	Pink

U_P = Power supply

Vacant pins or wires must not be used!

Shield on housing

Color assignment applies only to extension cable.

PUR connecting cable Ø 8 mm [3(2 × 0.14 mm ²) + (2 × 1 mm ²)]; A _V = 1 mm ²		
<p>Complete With M23 coupling (female), 9-pin and D-sub connector (male), 15-pin for ND 28x, EIB 741; only 1 V_{PP}: ND 11xx, ND 12xx</p>		653231-xx
<p>Complete With M23 coupling (female), 9-pin and D-sub connector (female), 15-pin, for ND 780, PT 880, IK 220</p>		368172-xx
<p>With one connector With M23 coupling (female), 9-pin</p>		309780-xx
<p>Complete With M23 coupling (female), 9-pin and M23 connector (male)</p>		309774-xx

A_P: Cross section of power supply lines

HEIDENHAIN

DR. JOHANNES HEIDENHAIN GmbH

Dr.-Johannes-Heidenhain-Straße 5

83301 Traunreut, Germany

☎ +49 8669 31-0

FAX +49 8669 5061

E-mail: info@heidenhain.de

www.heidenhain.de

This Product Information supersedes all previous editions, which thereby become invalid. The basis for ordering from HEIDENHAIN is always the Product Information valid when the contract is made.

For more information

- Catalog: *Length Gauges*