



HEIDENHAIN

araxe

72, rue Yves le Coz
78000 VERSAILLES

tél : 01 30 21 48 49

fax : 01 39 51 16 33

<http://www.araxe.com>

contact@araxe.com

HEIDENHAIN



Product Information

ECI 4010

EBI 4010

Absolute Rotary Encoders
with 180 mm Hollow shaft

Suited for Safety-Related
Applications up to SIL 3
when Coupled with
Additional Measures



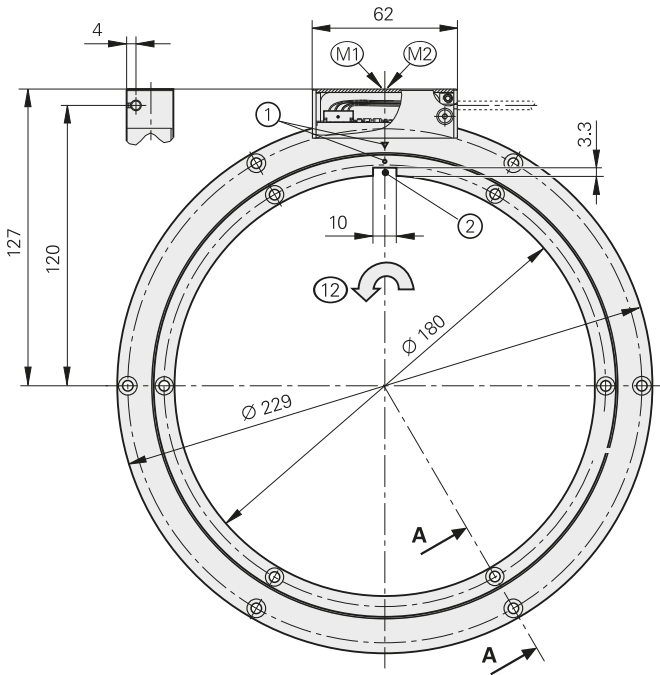
July 2017

ECI 4010, EBI 4010

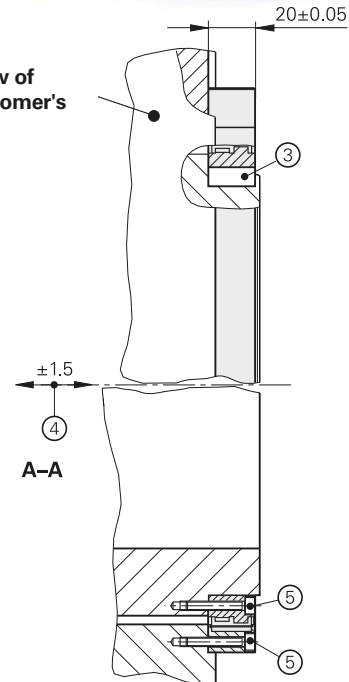
- Rotary encoders for absolute position values with safe singletum information
- Rugged inductive scanning principle
 - Hollow through shaft $\varnothing 180$ mm
 - **EBI 4010:** Multiturn function through battery-buffered revolution counter
 - Consists of scanning unit and scale drum



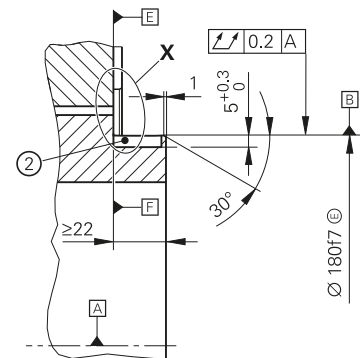
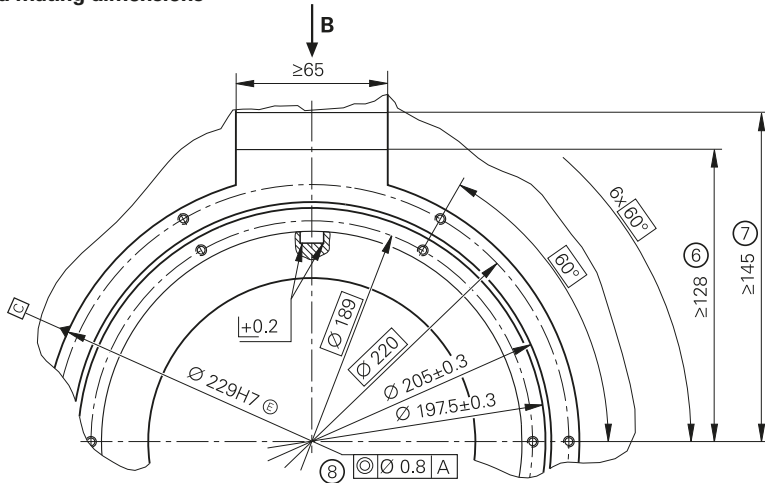
Functional Safety



View of customer's side

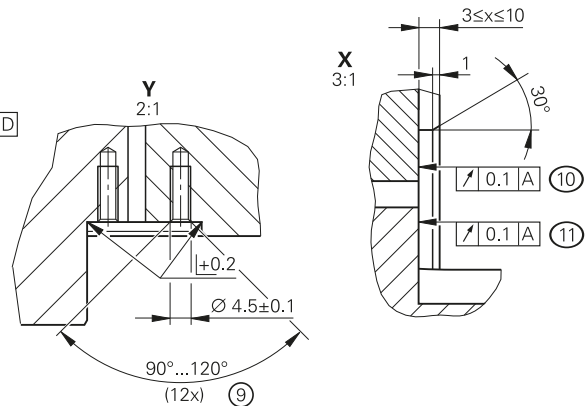
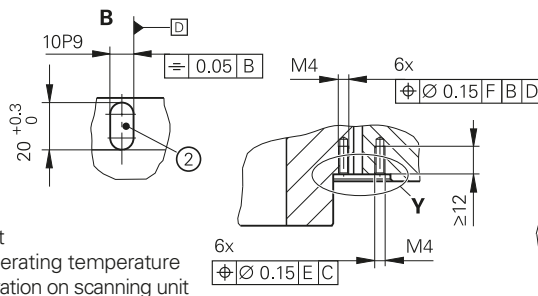


Required mating dimensions



mm

 Tolerancing ISO 8015
 ISO 2768 - m H
 < 6 mm: ± 0.2 mm



- ☐ = Bearing of mating shaft
- M1 = Measuring point for operating temperature
- M2 = Measuring point for vibration on scanning unit
- ① = Mark for 0° position ± 5°
- ② = Slot for machine key DIN 6885-A-10x8x20
- ③ = Machine key as per DIN 6885-A-10x8x20
- ④ = Maximum permissible axial deviation between shaft and flange surfaces. Compensation of mounting tolerances and thermal expansion. Dynamic motion permitted over entire range.
- ⑤ = Mounting screws: ISO 4762-M4x25-8.8. Tightening torque 2.2 Nm ± 0.13 Nm. A suitable anti-rotation lock is to be used for the screw connection (e.g. screw with material bonding anti-rotation lock, ISO 4762-M4x25-8.8 MKL as per DIN 267-27 ID 202264-88).
- ⑥ = Space necessary when encoder cover is closed
- ⑦ = Space required when encoder cover is open
- ⑧ = Coaxiality of stator mating surface
- ⑨ = Chamfer at start of thread is obligatory for materially bonding anti-rotation lock
- ⑩ = Bearing surface of stator
- ⑪ = Bearing surface of rotor
- ⑫ = Direction of shaft rotation for output signals according to interface description

Specifications	ECI 4010 – Singleturn	EBI 4010 – Multiturn
Consisting of	AE ECI4010 scanning unit: ID 1087526-02	AE EBI4010 scanning unit: ID 1097530-02
	TTR EXI4000 scale drum: ID 1113606-02	
Functional safety For applications up to	As single-encoder system for monitoring and closed-loop functions <ul style="list-style-type: none"> • SIL 2 according to EN 61508 (further basis for testing: EN 61800-5-2) • Category 3, PL d according to EN ISO 13849-1:2015 With additional measures as per document 1000344 for safety-related applications up to SIL 3 or category 4, PL e Safe in the singleturn range	
PFH	SIL 2: $\leq 15 \cdot 10^{-9}$ (Probability of dangerous Failure per Hour) SIL 3: $\leq 2 \cdot 10^{-9}$	
Safe position ¹⁾	Encoder: $\pm 0.44^\circ$ (safety-related measuring step: SM = 0.176°) Mechanical coupling: $\pm 0.5^\circ$ (Fault exclusion for the loosening of AE scanning unit and TTR scale drum, designed for acceleration of AE: $\leq 400 \text{ m/s}^2$; of TTR: $\leq 600 \text{ m/s}^2$)	
Interface/ordering designation	EnDat 2.2/EnDat22	
Position values/revolution	1048576 (20 bits)	
Revolutions	–	65536 (16 bits)
Calculation time t_{cal} /clock frequency	$\leq 5 \mu\text{s}/\leq 16 \text{ MHz}$	
System accuracy	$\pm 40''$	
Electrical connection	15-pin PCB connector (with connection for external temperature sensor ²⁾)	
Cable length	$\leq 100 \text{ m}$ (see EnDat description in the brochure <i>Interfaces of HEIDENHAIN encoders</i>)	
Voltage supply	DC 3.6V to 14V	Rotary encoder U_P : DC 3.6V to 14V Buffer battery U_{BAT} : DC 3.6 to 5.25V
Power consumption ³⁾ (maximum)	At 3.6 V: $\leq 630 \text{ mW}$; at 14 V: $\leq 700 \text{ mW}$	
Current consumption (typical)	At 5 V: 95 mA (without load)	Normal operating at 5 V: 95 mA (without load) Buffer mode ⁴⁾ : 220 μA (rotating shaft) 25 μA (at standstill)
Shaft	Hollow through shaft $\varnothing 180 \text{ mm}$ (with keyway)	
Speed	$\leq 6000 \text{ rpm}$	
Moment of inertia of rotor	$3.1 \cdot 10^{-3} \text{ kgm}^2$ (without screws, without machine key)	
Angular acceleration of rotor	$\leq 2 \cdot 10^4 \text{ rad/s}^2$	
Axial motion of measured shaft	$\leq \pm 1.5 \text{ mm}$	
Vibration 55 to 2000 Hz ⁵⁾ Shock 6 ms	AE scanning unit: $\leq 400 \text{ m/s}^2$; TTR scale drum: $\leq 600 \text{ m/s}^2$ (EN 60068-2-6) $\leq 2000 \text{ m/s}^2$ (EN 60068-2-27)	
Operating temperature	-40°C to 115°C (at the measuring point and the entire scale drum)	
Trigger threshold of error message for excessive temperature	130°C (measuring accuracy of internal temperature sensor: $\pm 1 \text{ K}$)	
Relative humidity	$\leq 93 \%$ ($40^\circ \text{C}/21 \text{ d}$ as per EN 60068-2-78); without condensation	
Protection EN 60529	Complete encoder in mounted condition: IP20 ⁶⁾ ; scanning unit: IP40 (see <i>Insulation</i> under <i>Electrical safety</i> in the brochure <i>Interfaces of HEIDENHAIN Encoders</i>)	
Mass	AE scanning unit: $\approx 0.39 \text{ kg}$; TTR scale drum: $\approx 0.33 \text{ kg}$	

¹⁾ Further tolerances may occur in subsequent electronics after position value comparison (contact manufacturer of subsequent electronics)

²⁾ See *Temperature measurement in motors* in the brochure *Encoders for Servo Drives*

³⁾ See *General electrical information* in the brochure *Interfaces of HEIDENHAIN Encoders*

⁴⁾ At $T = 25^\circ \text{C}$; $U_{\text{Bat}} = 3.6 \text{ V}$

⁵⁾ AE: Hz to 55 Hz constant over 6.5 mm distance peak to peak; TTR: 10 Hz to 55 Hz constant over 10 mm distance peak to peak

⁶⁾ The encoder must be protected in use against abrasive and harmful media. Use an appropriate enclosure if required.

EBI 4010 – external buffer battery

The multitem function of the EBI 4010 is realized through a revolution counter. To prevent loss of the absolute position information during power failure, the EBI must be driven with an external backup battery.

A lithium thionyl chloride battery with 3.6 V and 1200 mAh is recommended as backup battery. The typical service life is over six years with appropriate conditions (two shifts of ten hours each in normal operation; battery temperature 25 °C; typical self-discharging). To achieve this, the main power supply (U_P) must be connected to the encoder while connecting the backup battery, or directly thereafter, in order for the encoder to become fully initialized after having been completely powerless. Otherwise the encoder will consume a significantly higher amount of battery current until main power is supplied the first time.

Ensure correct polarity of the buffer battery in order to avoid damage to the encoder. HEIDENHAIN recommends operating each encoder with its own backup battery.

If the application requires compliance with DIN EN 60086-4 or UL 1642, an appropriate protective circuit is required for protection from wiring errors.

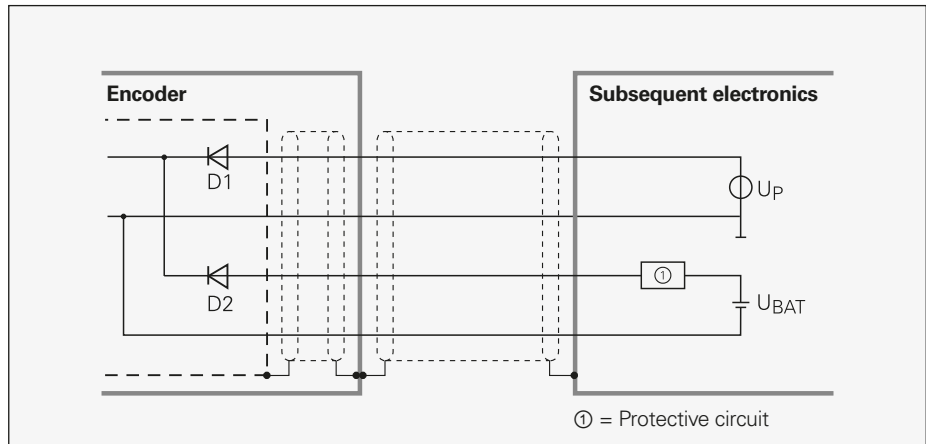
If the voltage of the buffer battery falls below certain thresholds, the encoder will set warning or error messages that are transmitted via the EnDat interface:

- **“Battery charge” warning**
 $\leq 2.8\text{ V} \pm 0.2\text{ V}$
 in normal operating mode
- **“M power failure” error message**
 $\leq 2.2\text{ V} \pm 0.2\text{ V}$ in battery buffered operating mode (encoder must be re-referenced)

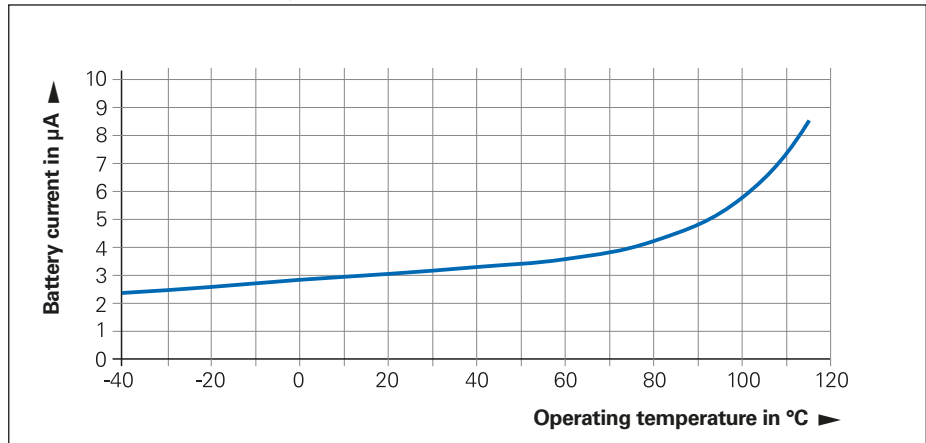
The EBI uses low battery current even during normal operation. The amount of current depends on the operating temperature.

Please note:

Compliance with the EnDat specification 297403 and the EnDat Application Notes 722024, Chapter 13, *Battery-buffered encoders*, is required for correct control of the encoder.



Connection to the buffer battery



Typical discharge current in normal operation ($U_{BAT} = 3.6\text{ V}$)

Mounting

The scale drum of the rotary encoder is slid onto the centering collar of the measured shaft with machine key and fastened. The stator is mounted via an external centering diameter. In each case, use screws with materially bonding anti-rotation lock (see *Mounting accessories*).

Conditions required on the motor side for a safe mechanical connection:

	Mating shaft/mating stator	
Material	Steel	Aluminum
Tensile strength R_m	$\geq 600 \text{ N/mm}^2$	$\geq 220 \text{ N/mm}^2$
Shear strength τ_m	$\geq 390 \text{ N/mm}^2$	$\geq 130 \text{ N/mm}^2$
Interface pressure P_G	$\geq 660 \text{ N/mm}^2$	$\geq 250 \text{ N/mm}^2$
Surface roughness R_z	$\leq 16 \mu\text{m}$	
Coefficient of thermal expansion α_{therm} (at 20 °C)	$(10 \text{ to } 17) \cdot 10^{-6} \text{ K}^{-1}$	$\leq 25 \cdot 10^{-6} \text{ K}^{-1}$

Protection against contact (EN 60529)

After encoder installation, all rotating parts must be protected against accidental contact during operation.

Mounting accessories

Screws

Screws are not included in delivery. They can be ordered separately.

ECI 4010/EBI 4010	Screws		Lot size
Mounting screws For stator and rotor	ISO 4762-M4x25-8.8-MKL	ID 202264-88	60 or 300 pieces

¹⁾ With coating for materially bonding anti-rotation lock

Please note the information on screws from HEIDENHAIN in the catalog titled *Encoders for Servo Drives*, chapter *General mechanical information* under *Rotary encoders with functional safety*.

Machine key

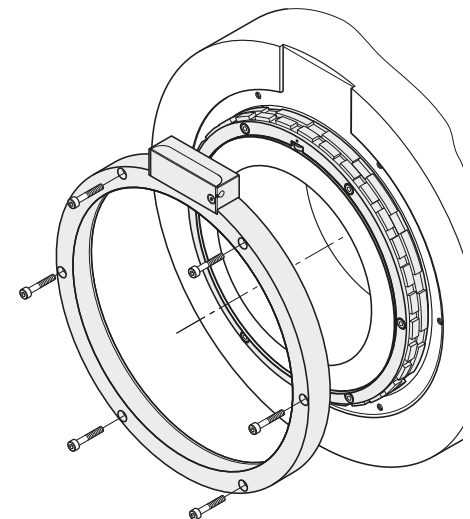
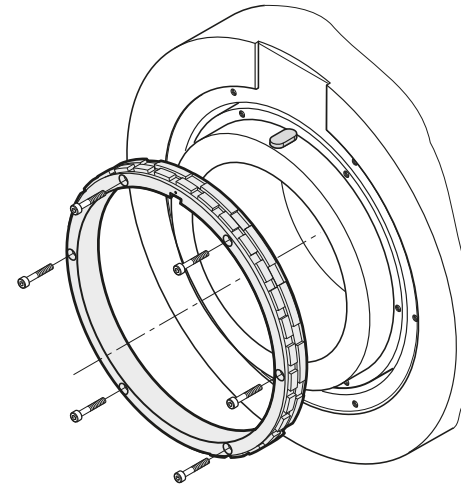
The machine keys are not included in delivery.

Mounting aid

The mounting aid serves to plug and unplug the PCB connector. It prevents damage to the wires and crimp contacts because the strain is applied only to the connector. The wires must not be pulled.


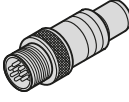

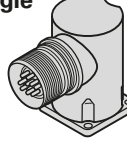



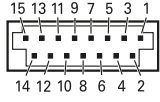




ID 1075573-01

For further mounting information and mounting aids, refer to the *Encoders for Servo Drives* catalog.


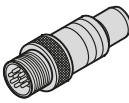

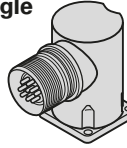
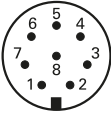
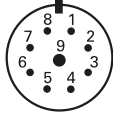

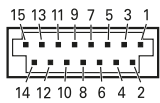






Electrical connection – pin layout

Pin layout of ECI

8-pin coupling M12		9-pin right-angle socket M23				15-pin PCB connector				
										
	Power supply				Serial data transfer				Other signals ¹⁾	
 M12	8	2	5	1	3	4	7	6	/	/
 M23	3	7	4	8	5	6	1	2	/	/
	13	11	14	12	7	8	9	10	5	6
	U_P	Sensor U_P	0V	Sensor 0V	DATA	DATA	CLOCK	CLOCK	T+ ²⁾	T- ²⁾
	Brown/ Green	Blue	White/ Green	White	Gray	Pink	Violet	Yellow	Brown	Green

Pin layout of EBI

8-pin coupling M12		9-pin right-angle socket M23				15-pin PCB connector				
										
	Power supply				Serial data transfer				Other signals ¹⁾	
 M12	8	2	5	1	3	4	7	6	/	/
 M23	3	7	4	8	5	6	1	2	/	/
	13	11	14	12	7	8	9	10	5	6
	U_P	U_{BAT}	0V ³⁾	0V BAT ³⁾	DATA	DATA	CLOCK	CLOCK	T+ ²⁾	T- ²⁾
	Brown/ Green	Blue	White/ Green	White	Gray	Pink	Violet	Yellow	Brown	Green

¹⁾ Only for cables inside the motor housing

²⁾ Connections for external temperature sensor (depending on the encoder cable inside the motor); evaluation optimized for KTY 84-130 (see *Temperature measurement in motors* in the *Encoders for Servo Drives* brochure)

³⁾ Connected inside encoder

Cable shield connected with housing; **U_P** = Power supply voltage



Sensor: The sensor line is connected in the encoder with the corresponding power line

Vacant pins or wires must not be used.

Note for safety-related applications: Only completely assembled HEIDENHAIN cables are qualified. Exchange connectors or modify cables only after consultation with HEIDENHAIN Traunreut.





Electrical connection

Cables

Encoder cable inside the motor EPG \varnothing 3.7 mm; [(1 x 4 x 0.06) + (4 x 0.06)] mm ² ; $A_P = 0.06$ mm ² ; wires for TPE temperature sensor [2 · 0.16] mm ²		
Complete with PCB connector (15-pin) and M23 SpeedTEC right-angle socket (male) 9-pin; wires for temperature sensor		ID 1120940-30 ¹⁾ ; length 0.3 m
Complete with PCB connector (15-pin) and M23 SpeedTEC right-angle socket (male) 9-pin		ID 1121041-03 ¹⁾ ; length 0.3 m

CE compliance of the complete system must be documented.

¹⁾ Operating temperature range (conditional): -20 °C to 120 °C

PUR connecting cable \varnothing 6 m; [(4 x 0.14 mm ²) + (4 x 0.34 mm ²)]; $A_P = 0.34$ mm ²	M12 connector, 8-pin	M23 connector, 9-pin	
Complete with connector (female) and M12 coupling (male), 8-pin		ID 368330-xx	ID 745796-xx
Complete with M12 connector (female), 8-pin, and D-sub connector (female), 15-pin		ID 533627-xx	-
Complete with M12 connector (female), 8-pin, and D-sub connector (male), 15-pin		ID 524599-xx	-
With one M12 connector (female), 8-pin		ID 634265-xx ¹⁾	-

A_P : Cross section of power supply lines

¹⁾ Connecting element must be suitable for the maximum clock frequency used

Note for safety-related applications: Provide bit error rate as per specification 533095!

SpeedTEC is a registered trademark of Intercontec Pfeiffer Industriesteckverbindungen GmbH.

HEIDENHAIN

DR. JOHANNES HEIDENHAIN GmbH

Dr.-Johannes-Heidenhain-Straße 5

83301 Traunreut, Germany

☎ +49 8669 31-0

FAX +49 8669 32-5061

E-mail: info@heidenhain.de

www.heidenhain.de

This Product Information supersedes all previous editions, which thereby become invalid. The basis for ordering from HEIDENHAIN is always the Product Information document edition valid when the order is made.



For more information:

Comply with the requirements described in the following documents to ensure the correct operation of the encoder:

- Encoders for Servo Drives brochure: 208922-xx
- AE ECI4010, EBI4010 Mounting Instructions: 1214405-xx and TTR EXI4000: 1214404-xx
- Technical Information: Safety-Related Position Measuring Systems: 596632
- For implementation in a safe control or inverter: Specification: 533095 and Supplementary Measures Catalog (SIL 3, PL e): 1000344
- Interfaces of HEIDENHAIN Encoders brochure: 1078628